



Submittal Data Sheet

UCRT - UC1 INTERLOCK WITH SPEED CONTROL

MAC1E MULTIPLE APPLIANCE CONTROL

MAC4E MULTIPLE APPLIANCE CONTROL

WHKE MILLIVOLT INTERLOCK KIT

Job Name: _____

Equipment Rep: _____

Contractor: _____

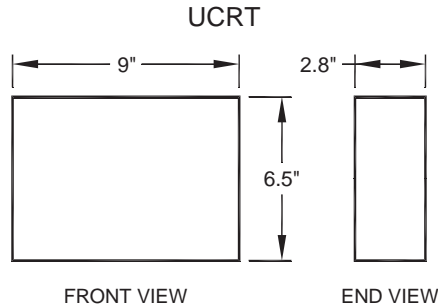
Prepared By: _____

Arch./Engr.: _____

Date: _____

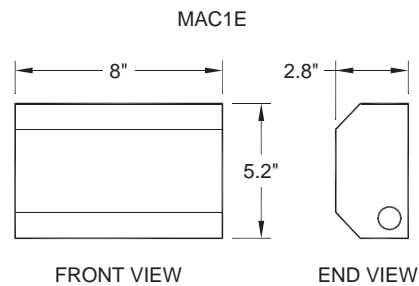
UCRT - UC1 Interlock with Speed Control for RT-Series

The UCRT combines Tjernlund's UC1 burner interlock control with an Inducer speed control. It is designed for use **ONLY** with Tjernlund RT-Series Rooftop Inducers. The UC1 Universal Control is compatible with virtually any burner control circuit. Features include: adjustable pre & post purge, LED status/diagnostic indicators, prover status monitoring. Increases safety and reduces burner lockouts. Easy multiple heater interlock with MAC-Series controls. Powered by 115 VAC.



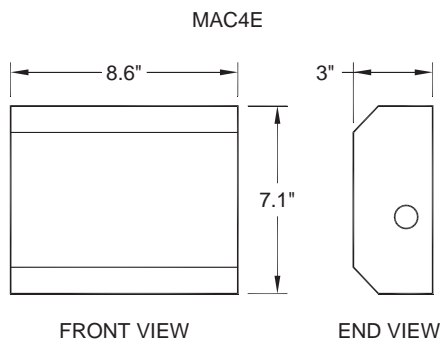
MAC1E Multiple Appliance Control

The MAC1E is used in conjunction with the UC1 or UCRT Controls to interlock one additional 24 VAC, 115 VAC or millivolt controlled appliance. Millivolt appliances require a WHKE kit. Powered by and communicates with the UC1 through a factory wired whip. It activates the Inducer/Blower through its connections to the UC1, and in turn relies on the UC1 Fan Prover safety circuit (P1 & P2) to allow its interlocked appliance to operate. Any pre/post-purge settings on the UC1 will be defaulted to the MAC1E.



MAC4E Multiple Appliance Control

The MAC4E is used in conjunction with the UC1 or UCRT Controls to interlock up to four additional 24 VAC, 115 VAC or millivolt controlled appliances. Millivolt appliances require a WHKE kit. Powered by and communicates with the UC1 through a factory wired whip. It activates the Inducer/Blower through its connections to the UC1 and in turn relies on the UC1 Fan Prover safety circuit (P1 & P2) to allow its interlocked appliances to operate. Any pre/post-purge settings on the UC1 will be defaulted to the MAC4E.



WHKE Millivolt Interlock Kit

For use with the UC1, UCRT, MAC1E or MAC4E auxiliary controls to interlock millivolt heaters. The WHKE gas pressure switch actuates the venter through the A - B Dry contacts of UC1, UCRT, MAC1E or MAC4E. The Linear Limit switch disables the heater in the event of a venting malfunction. Includes JA1 thermocouple junction adapter.

